

430 GSR2 GAS INSERT

FEATURING GREENSMART2™ TECHNOLOGY



**THE CLEAN FACE INSERT THAT
LOOKS LIKE A FIREPLACE**



MODEL 430 GSR2 GAS INSERT

The 430 GSR2 is a smaller version of the classic 616 GSR and is designed to fit into smaller fireplaces. This insert has the solid craftsmanship and reliable performance that Lopi has produced for over thirty years. The 430 GSR2 gas insert converts an existing masonry or metal fireplace into an efficient heater that possesses the true quality of a Lopi product.

Lopi inserts are more than five times as efficient as an open fireplace and are designed to heat large areas efficiently. The revolutionary Greensmart control allows for "Smart" mode settings and added convenience for energy savings.

AMAZING WOOD-LIKE FLAME

The 430 GSR2 features one of the best looking flame and logs of any gas insert on the market. The flame is tall and burns evenly across and around the logs. You will find the gentle flickering yellow orange flame warm, comforting and appealing.

FEATURES

- Fully loaded GreenSmart 2™ burner system with standard GreenSmart 2 remote gives you optimum performance and low operating cost.
- Laterally located controls allow for an increased glass viewing area of almost 20% over traditional gas inserts.
- 430 sq. in. of glass with mesh safety screen over glass.
- Convection chamber with standard fans (180 CFM total) quickly heats up your home.
- Top and rear interior accent lights.
- Choice of switching between intermittent (electric ignition) or continuous standing pilot.
- Battery back up for operation during power outages.
- Self-balancing flue restrictor for optimum performance and flame appearance.



Wilmington Face with Driftwood Log Set



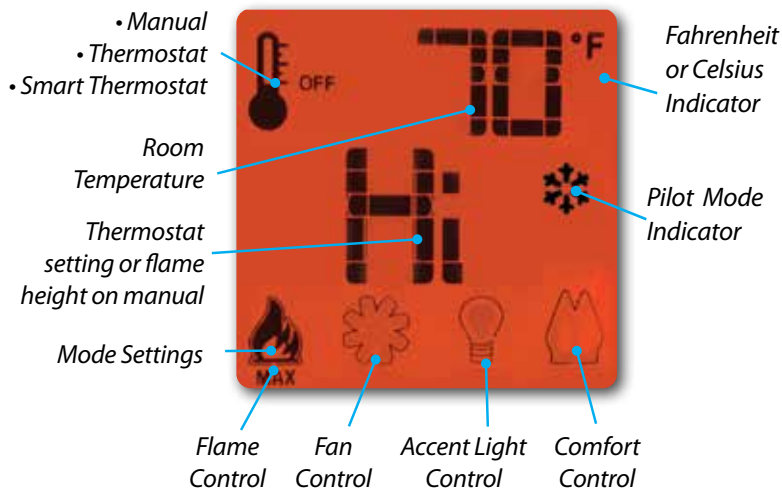
Use your smart phone or tablet to watch a video of the flame in action.



Black Painted Universal Face with Herringbone Brick Fireback, Traditional Log Set and 3-sided panel

GREENSMART 2™ REMOTE CONTROL SYSTEM

The GreenSmart 2™ remote offers the ultimate in features and convenience from any location within 25 feet of your appliance and includes a bracket for wall mounting the remote.



Use your smartphone or iPad™ to watch a video of how the GreenSmart 2™ remote works.

MANUAL SETTING:

Fire ON/OFF and adjust flame height.

THERMOSTAT

Thermostat control setting turns fire automatically ON and OFF to maintain set temperature.

“SMART” THERMOSTAT (SET-IT-AND-FORGET-IT!)

In “Smart” Thermostat mode the flame will modulate from low to high, or high to low until the set temperature is reached. This will conserve fuel usage and extend the viewing pleasure of the fire. If the room temperature exceeds the thermostat setting, the unit will shut off until heat is required again. The most comfortable and efficient way to heat your home.

FINISH SURROUND PANELS

For a clean look, one piece surround panels are available for a flat to the fireplace finish. Panel comes in two sizes to cover most fireplace openings.

Small - 25" (635mm) H x 38" (966mm)W

Large - 28-1/2" (724mm) H x 40" (1016mm) W

Your Lopi dealer also offers custom fit surround panels that are built to your exact specification and can be ordered in three-sided or four-sided versions.

FUEL AND COST SAVINGS:

Example:

A standing pilot appliance uses .552 therms of gas each day. The average therm of natural gas is \$1.10, or \$0.60 to run every day - no matter if the appliance is on or off. 365 days of standing pilot usage equates to 201 therms of gas or \$219. Propane can run up to three times this cost. The GreenSmart System helps you save on both energy usage and your heating bill.





DECORATIVE LOG OPTIONS

Choose between a traditional nine piece log set with glowing embers or the stylish Driftwood Fire art for the interior of your insert.



Traditional Log Set



Driftwood Log Set

FACE OPTIONS

Personalize your fireplace from the outside by choosing one of two different designer faces. All faces come with safety screens.



Universal Face

Face Dimensions: 31" W x 22" T
Glass Area: 22.5" W x 15.85" T



Wilmington - Carbon Patina

Face Dimensions: 31" W x 22" T
Glass Area: 22.55" W x 15.75" T



FIREBACKS (REQUIRED)

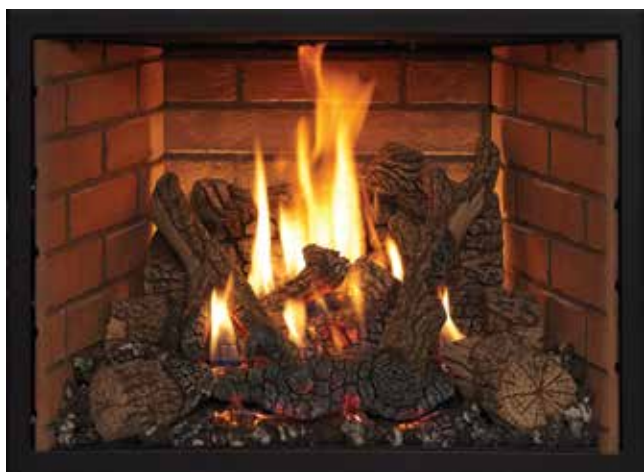
Leave the interior basic black for a simple look, or add one of five decorative brick or metal firebacks.



Black Painted Fireback



Handmade Brick Fireback



Common Brick Fireback



Herringbone Brick Fireback



Black Enamel Fireback



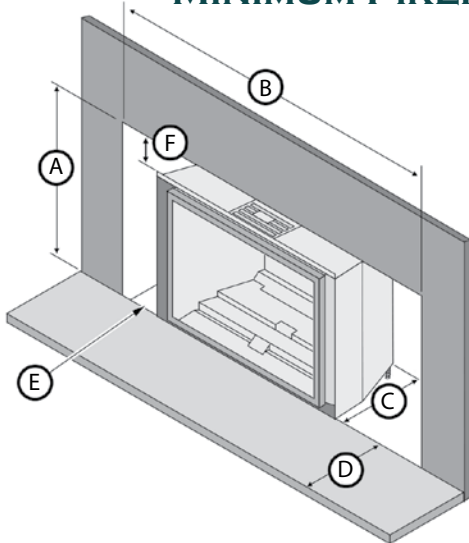
*Stainless Steel Fireback
(Metal will patina with age)*



NOTE: ALWAYS REFER TO THE PRODUCT OWNER'S MANUAL FOR COMPLETE INSTALLATION INSTRUCTIONS. FAILURE TO DO SO CAN RESULT IN VOIDING OF THE WARRANTY AND PRESENT A POTENTIAL SAFETY HAZARD!

MANUAL CAN BE FOUND AT WWW.LOPISTOVES.COM

MINIMUM FIREPLACE REQUIREMENTS

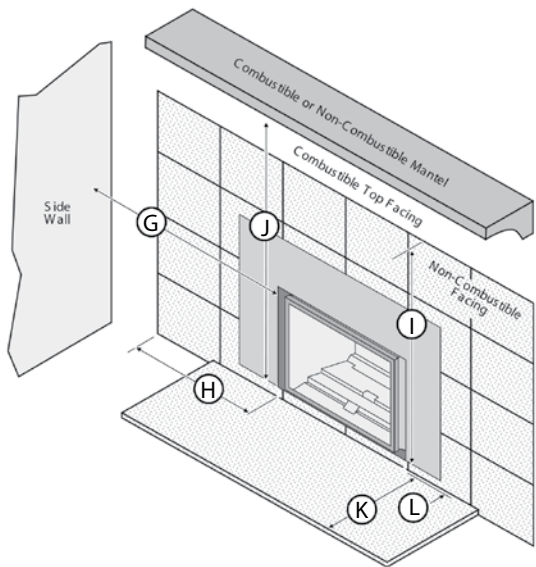


Fireplace Sizing

(A) Minimum Height	20.25" (515mm)
(B) Minimum Width	30.5" (775mm)
(C) Minimum Depth	15.5" (394mm)
(D) Hearth Depth	1.75" (45mm)

- (E) The gas and electrical line should be installed prior to installing the heater.
- (F) For tight fits (under 24") see "Removing the Vent Connector".

MINIMUM CLEARANCES TO COMBUSTIBLES



	Minimum Clearances
G Sidewall to Insert	5" 127mm
H Side Facing (non-combustible)	3.375" 86mm
I Top Facing* (non-combustible)	32.375" 823mm
J 12" Mantel* (combustible or non-combustible)	34.5" 877mm
4" Mantel* (combustible or non-combustible)	33.5" 851mm
K Hearth Extension to the Front	1.75" 45mm
L Extension onto Hearth	0" 0mm

* Measured from the base of the insert.
NOTE: the non-combustible top facing must extend 32.375" (823mm) above the base of the insert or to the bottom of the mantel (whichever is less).

DIMENSIONS

DEPTH	15-1/2" (394mm)
HEIGHT	20-1/4" (515mm)
WIDTH FRONT	30-1/2" (775mm)
WIDTH BACK	21" (534mm)

SPECIFICATIONS

- INPUT HIGH: 31,000 BTUs/Hr
- INPUT LOW: 11,241 (NG) BTUs/Hr
7,702 (LP) BTUs/Hr
- P4 Efficiency: 65.29% (NG)
67.56% (LP)
- 64% Turndown Rate with Comfort Control™
- Dancing-Fyre™ Burner
- Heating Capacity: 500 to 1,500 Square Feet

* Heating Capacity will vary with floor plan and ceiling height, insulation, and outside ambient temperature.

† P4 Efficiency determined using CSA P4.1-02

INSERT WIRING KIT OPTION

Don't want the power cord running across the front of the hearth? The optional insert wiring kit allows you to hard-wire your AC power from inside the fireplace. Ask your dealer for details.

Your Lopi Authorized Dealer:



www.lopistoves.com